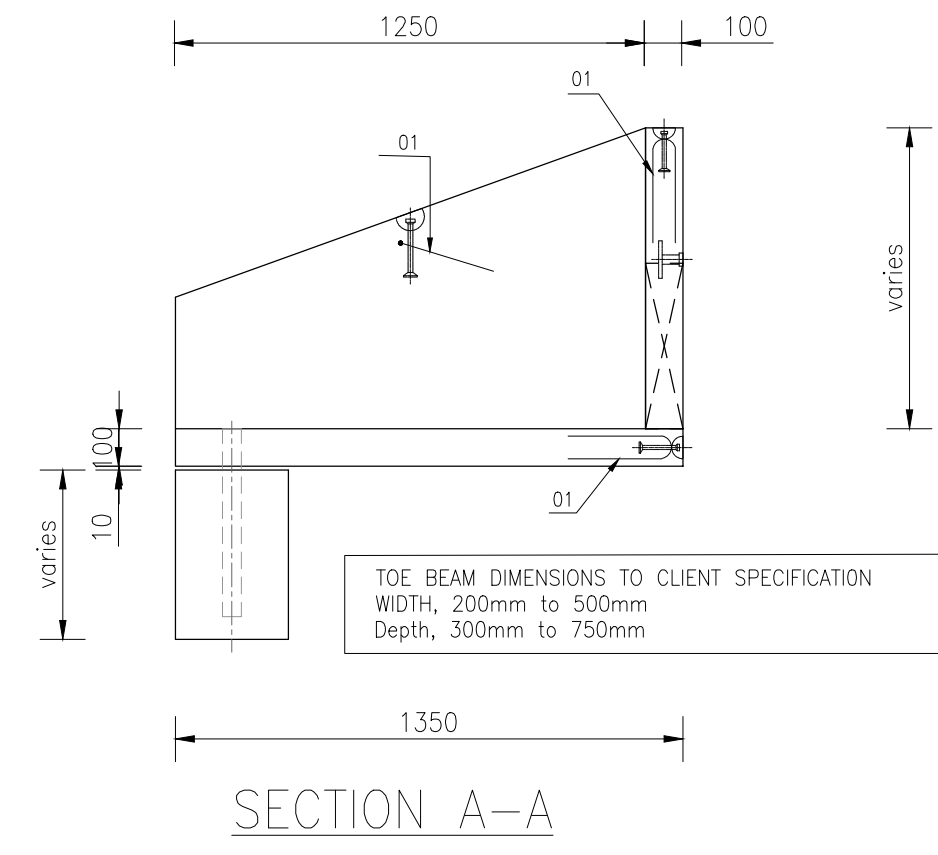
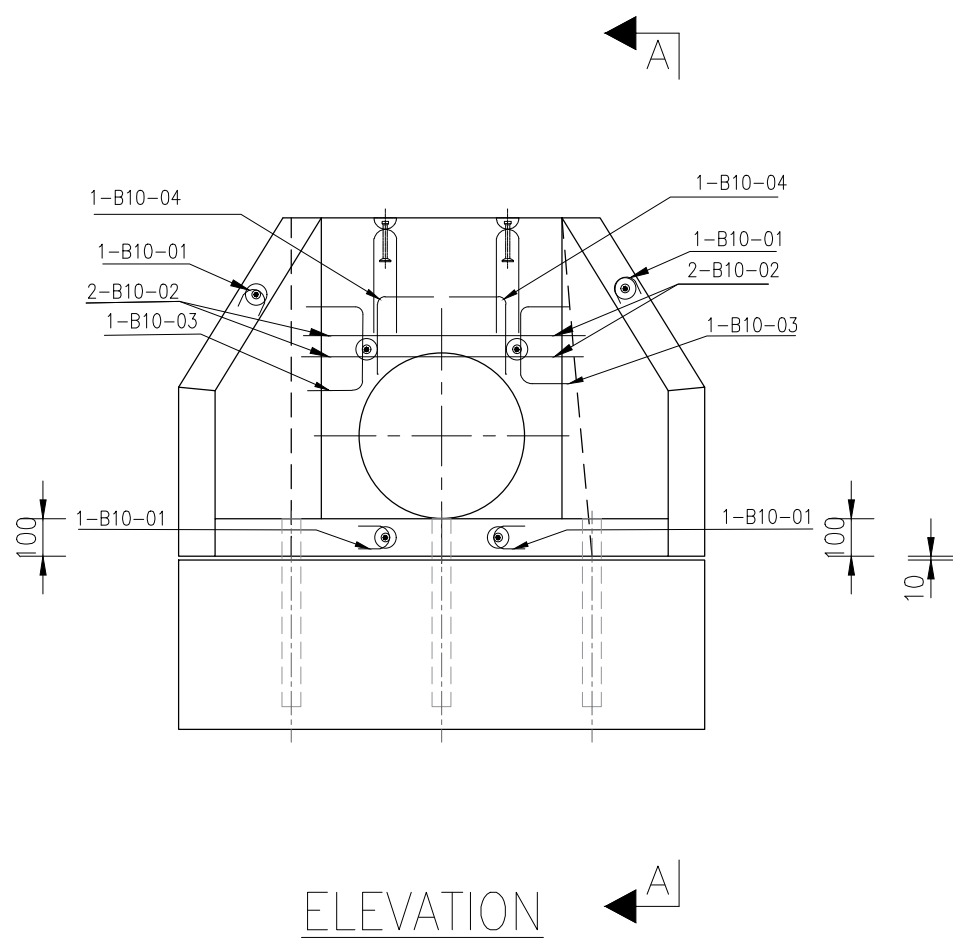
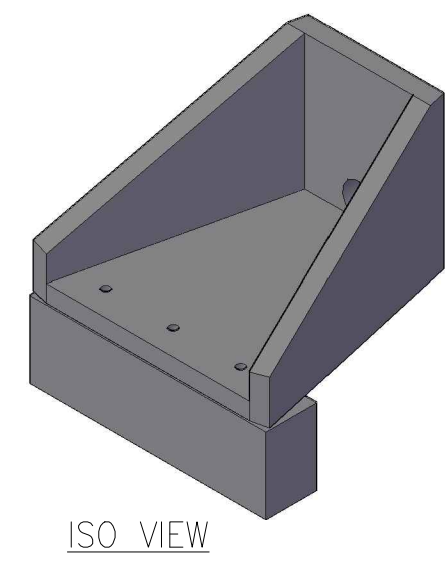


Manufacture Tolerances			
Allowable dimensional variations shall not exceed the following:			
Length	Variation	Cross section	Variation
Up to 3m	± 6mm	Up to 500mm	± 6mm
3 to 4.5m	± 9mm	500 to 750mm	± 9mm
4.5 to 6m	± 12mm	Additional for every subsequent 250mm	± 3mm
Additional for every subsequent 6m	± 6mm		
Straightness or bow (deviation from intended line)		Variation	
Up to 3m		± 6mm	
3 to 6m		± 9mm	
6 to 12m		± 12mm	
Additional for every subsequent 6m		± 6mm	



- NOTES**
- Design & Manufacture:**
    - Designed in accordance with EUROCODES.
    - Manufactured in accordance with Series 1700 Specification for Highway Works.
    - Loading retained soil only.
    - Water level above invert: External = 0 mm Internal = 0 mm
    - SWP have designed the reinforced concrete units only. Stability and soil structure interaction should be checked by the overall scheme designer.
    - No allowance has been made for construction traffic. A design check will only be completed on request.
  - Concrete:**
    - Lifting cube strength = 25 N/mm<sup>2</sup>.
    - Min. Characteristic 28 day cube strength = 50 N/mm<sup>2</sup>.
    - Mix References: SWP/C40/50
    - Design Chemical Class: DC1
  - Reinforcement:**
    - CARES approved, grade B500B conforming to BS 4449:2005. Grade B500C may be used in place of B500B.
    - Scheduling, dimensioning, bending & cutting of steel to BS 8666:2005.
    - Tying wire to be 1.2mm dia. stainless steel.
    - Reinforcement adjusted locally to accommodate lifting anchors.
  - Durability:** (BS 8500)
    - Design Life = 120 years.
    - Exposure Class:
 

Face	Exposure Class Provided
All	XC3/4, XD2, XF2
  - Cover to reinforcement:**

Face	Min. Cover	* Max. Cover
All	40mm	50mm

\* Max. cover is only applicable to the larger dia. bar on each face.
  - Finishes:**

Class	Formed	Unformed
	F2	U2
  - Handling:**
    - Lifting points to be as specified below. Use all points for lifting & refer also to the Lifting Instructions diagram.

Unit	Qty	System	CFS Ref.	SWL
	6	CFS	CFS-WAL-20-257	2.0 T
	2	CFS	CFS-FA-20	2.0 T
  - The site lifting equipment may be purchased / hired from CFS Ltd. Tel: 01491 576466  
Lifting clutches Reference: ???
  - All lifting recesses to be filled in by others.
  - Unit volume / weight:
 

Unit	Unit Volume (m <sup>3</sup> )	Unit Weight (assuming 2.5T/m <sup>3</sup> )
- \* Weight for craneage to be checked by main contractor.
- Storage: Units supported on 2 no. bearers at approx. 1/5th points.
- Marking:**
  - Units shall be indelibly marked to show the member mark, cast date, unit weight and either the contract number or name.

UNIT SCHEDULE	
UNIT REF.	NO. REQUIRED

Rev	Date	Amendment	By	Chk'd
0	17.11.20		PVB	MH

Contract: **STANDARD DETAILS  
SMALL  
HEADWALLS**

Title: **SMALL SFA SWP  
HEADWALL**

Drawn By: PVB Status: **FOR INFORMATION**  
Date: 21.07.20  
Scale: 1:10  
Checked: MH



No. SWP\_HW\_STD\_12 Rev: 0