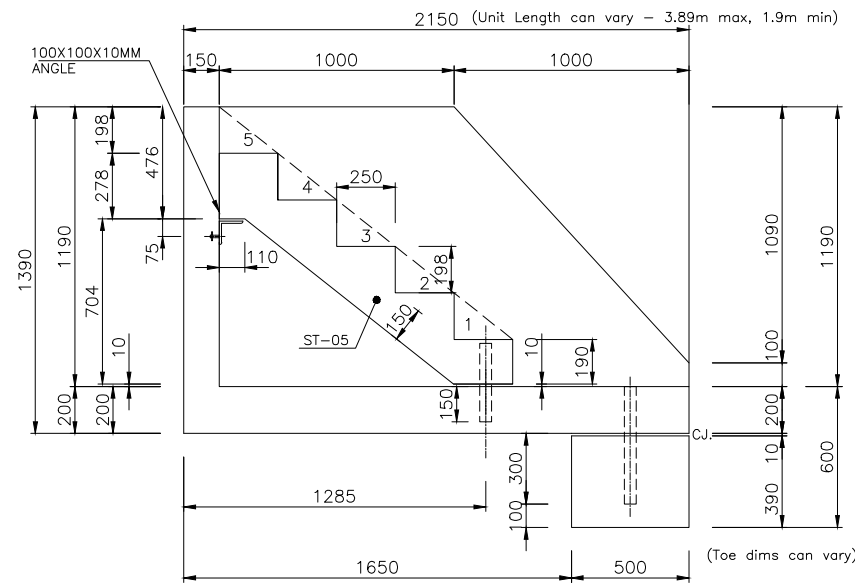


DO NOT SCALE - IF IN DOUBT, ASK



SECTION A-A

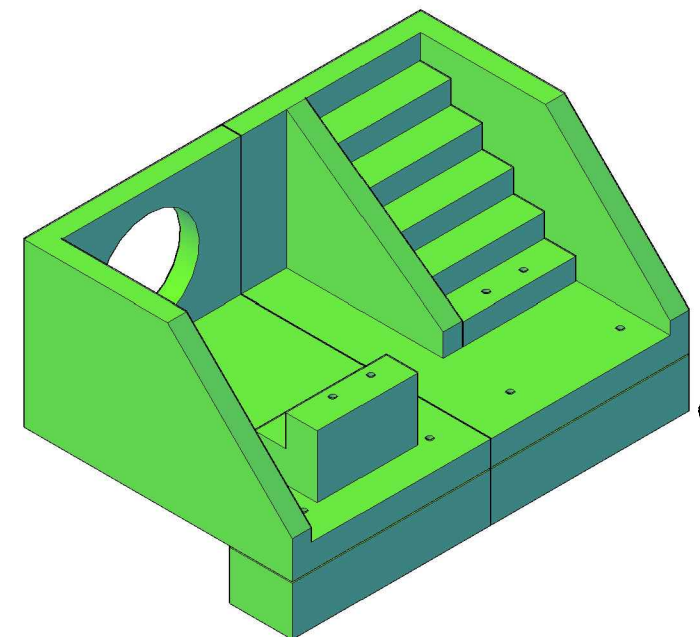
REINFORCEMENT: A393 MESH
CENTRAL TO ALL WALL SECTION
AND 2 LAYERS A393 MESH IN
BASE (OR EQUIVALENT LOOSE
BAR)

FOR STAIR UNITS REFER DWG NO.
SWP_ST_05

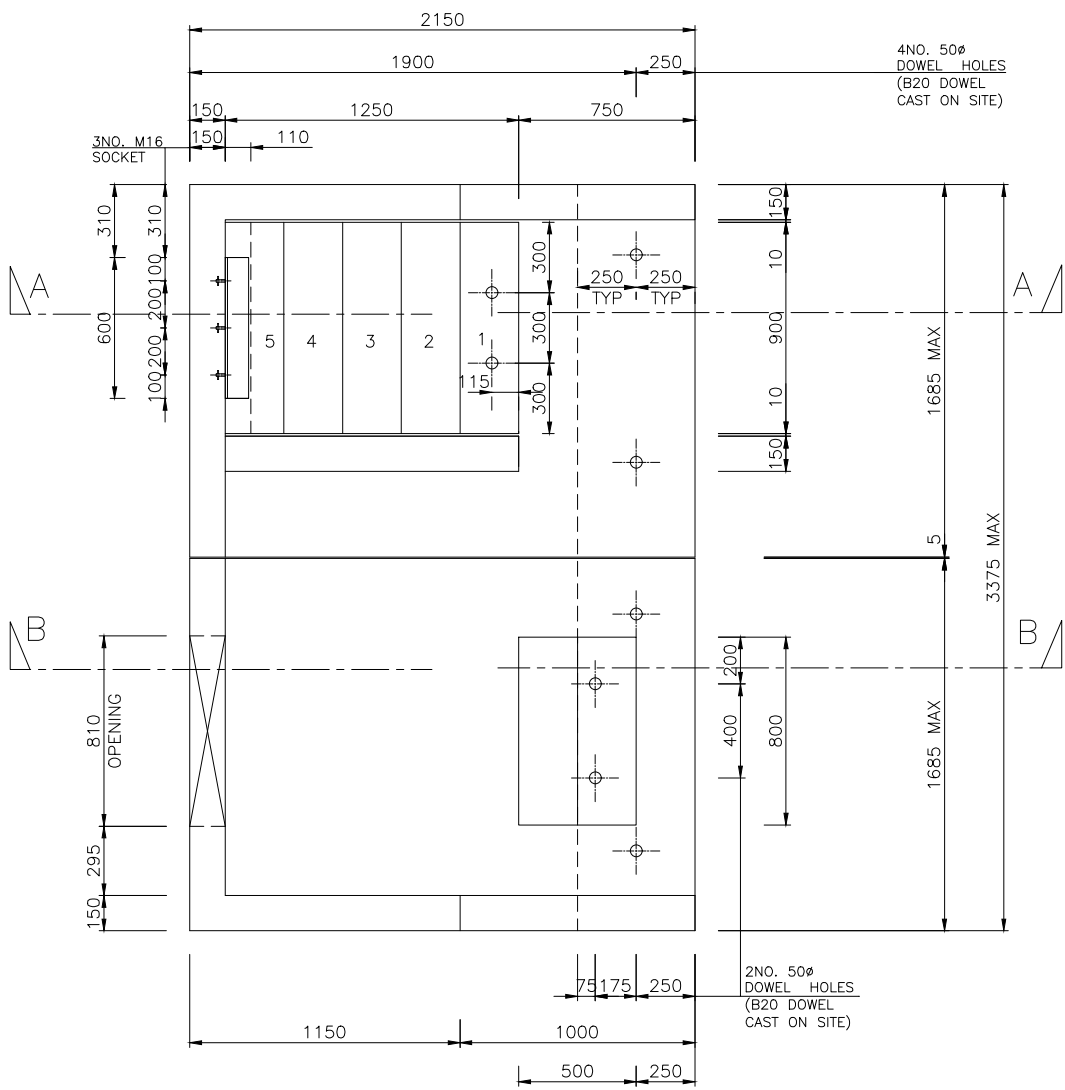
Manufacture Tolerances			
Allowable dimensional variations shall not exceed the following:			
Length	Variation	Cross section	Variation
Up to 3m	± 6mm	Up to 500mm	± 6mm
3 to 4.5m	± 9mm	500 to 750mm	± 9mm
4.5 to 6m	± 12mm	Additional for every subsequent 250mm	± 3mm
Additional for every subsequent 6m	± 6mm		
Straightness or bow (deviation from intended line)		Variation	
Up to 3m		± 6mm	
3 to 6m		± 9mm	
6 to 12m		± 12mm	
Additional for every subsequent 6m		± 6mm	

- NOTES**
- Design & Manufacture:**
 - Designed in accordance with EUROCODES.
 - Manufactured in accordance with Series 1700 Specification for Highway Works.
 - Loading Soil + Surcharge=5kN/m².
 - Water level above invert: External = 0 mm Internal = 0 mm
 - SWP have designed the reinforced concrete units only. Stability and soil structure interaction should be checked by the overall scheme designer.
 - No allowance has been made for construction traffic. A design check will only be completed on request.
 - Concrete:**
 - Lifting cube strength = 25 N/mm².
 - Min. Characteristic 28 day cube strength = 50 N/mm².
 - Mix References:- SWP/C40/50
 - Design Chemical Class: DC1
 - Reinforcement:**
 - CARES approved, grade B500B conforming to BS 4449:2005. Grade B500C may be used in place of B500B.
 - Scheduling, dimensioning, bending & cutting of steel to BS 8666:2005.
 - Tying wire to be 1.2mm dia. stainless steel.
 - Reinforcement adjusted locally to accommodate lifting anchors.
 - Durability:** (BS 8500)
 - Design Life = 120 years.
 - Exposure Class:

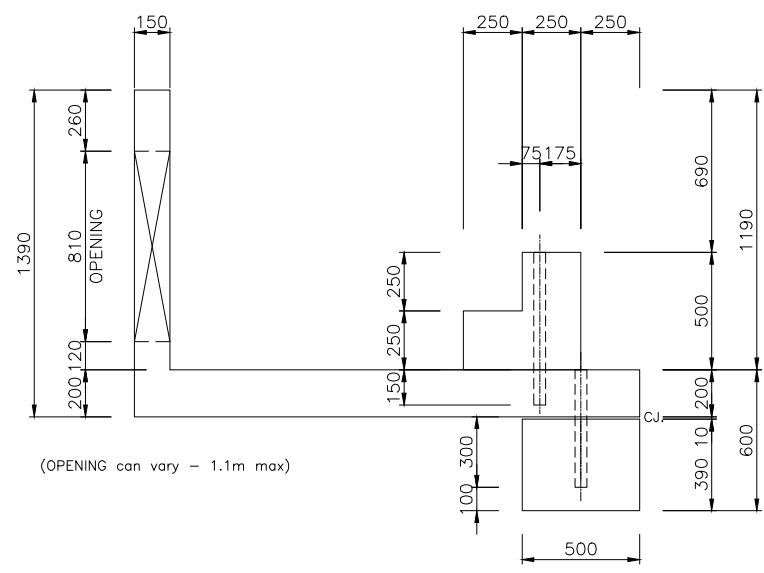
Face	Exposure Class Provided
All	XC3/4, XD2, XF2



ISO VIEW



PLAN



SECTION B-B

Unit	Qty	System	CFS Ref.	SWL
RHW 1.3	-	-	-	-

Unit	Unit Volume (m ³)	* Unit Weight (assuming 2.5T/m ³)
RHW 1.3	TBC	TBC Tonnes ±10%

Rev	Date	Amendment	By	Chkd
A	13.07.21	FOR APPROVAL	PSP	MH
D	13.02.19	FOR APPROVAL	PSP	MH

Contract: STANDARD HEADWALL UNIT

Title: MOULD DRAWING
1.19M INTERNAL
HIGH HEAD WALL

Drawn By: PSP Status: FOR APPROVAL
Date: 13.02.2019
Scale: 1:15
Checked: MH



No. RHW 1.3 Rev. A